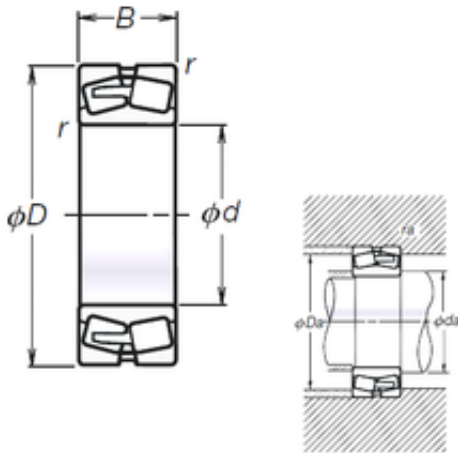




Toyana Bearing Manufacturing of Canada



260 mm x 400 mm x 104 mm NSK
TL23052CAE4 spherical roller bearings

Bearing No. TL23052CAE4

TL23052CAE4 Bearing 2D drawings and 3D CAD models

Size	260x400x104 mm
Bore Diameter	260 mm
Outer Diameter	400 mm
Width	104 mm
d	260 mm
D	400 mm
B	104 mm
C	104 mm
r min.	4 mm
da min.	278 mm
Da min	382 mm
Da max.	356 mm
ra max.	3 mm
Weight	46,6 Kg
Basic dynamic load rating (C)	1430 kN
Basic static load rating (C0)	2580 kN
(Grease) Lubrication Speed	800 r/min
(Oil) Lubrication Speed	950 r/min
Calculation factor (e)	0,25
Calculation factor (Y0)	2,7
Calculation factor (Y2)	4,1