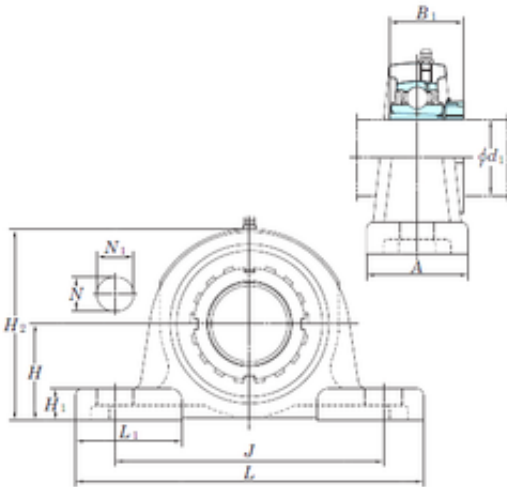




Toyana Bearing Manufacturing of Canada



UKPX12 Bearing 2D drawings and 3D CAD models

KOYO UKPX12 bearing units

Bearing No. UKPX12

Bore Diameter	55 mm
Width	76,2 mm
d	55 mm
A	83 mm
B1	62 mm
H	76,2 mm
H1	28 mm
H2	152 mm
J	203 mm
L	286 mm
L1	88 mm
N	25 mm
N1	40 mm
Bolt (G)	M20
Weight	7,5 Kg
Basic dynamic load rating (C)	57,2 kN
Basic static load rating (C0)	40,1 kN