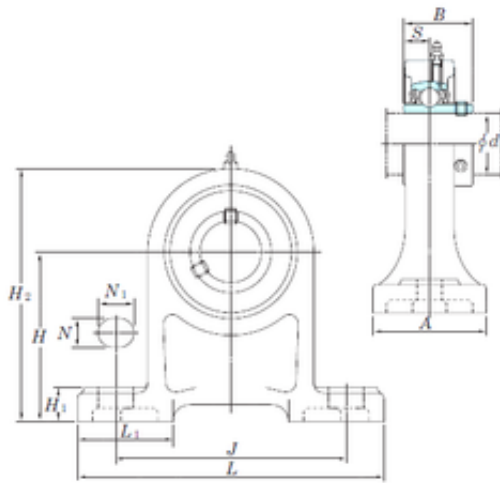




Toyana Bearing Manufacturing of Canada



KOYO UCPH209-28 bearing units

Bearing No. UCPH209-28

Bore Diameter	44,45 mm
Width	49,2 mm
d	44,45 mm
A	70 mm
B	49,2 mm
H	105 mm
H1	20 mm
H2	158 mm
J	146 mm
L	190 mm
L1	58 mm
N	17 mm
N1	21 mm
S	19 mm
Bolt (G)	M14
Weight	3 Kg
Basic dynamic load rating (C)	34,1 kN
Basic static load rating (C0)	21,3 kN

UCPH209-28 Bearing 2D drawings and 3D CAD models