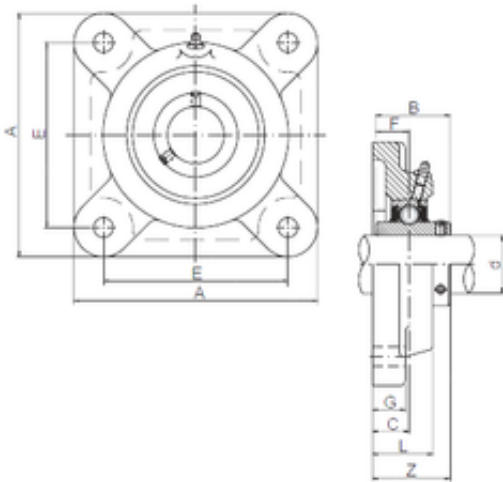




# Toyana Bearing Manufacturing of Canada



## ISO UCF211 bearing units

Bearing No. UCF211

Bore Diameter	55 mm
Width	55,6 mm
d	55 mm
Z	58,4 mm
A	162 mm
B	55,6 mm
C	25 mm
E	130 mm
F	22,2 mm
G	20 mm
L	43 mm
S	19 mm
Bolt (G)	M16

UCF211 Bearing 2D drawings and 3D CAD models