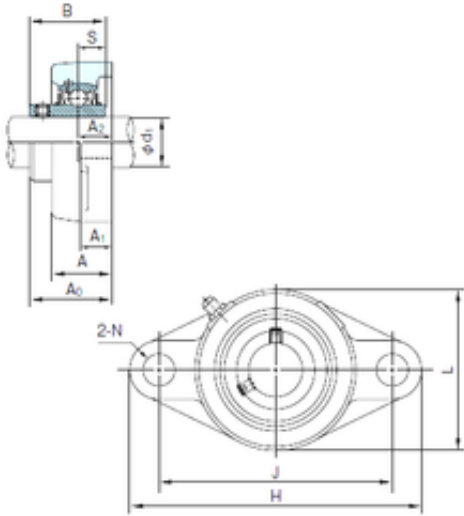




# Toyana Bearing Manufacturing of Canada



## NACHI UCFL215 bearing units

Bearing No. UCFL215

Bore Diameter	75 mm
d1	75 mm
A0	78.5 mm
A	56 mm
A1	24 mm
B	77.8 mm
H	275 mm
J	225 mm
L	165 mm
L1	168 mm
N	23 mm
S	33.3 mm
Bolt (G)	M20
A2	34 mm

UCFL215 Bearing 2D drawings and 3D CAD models