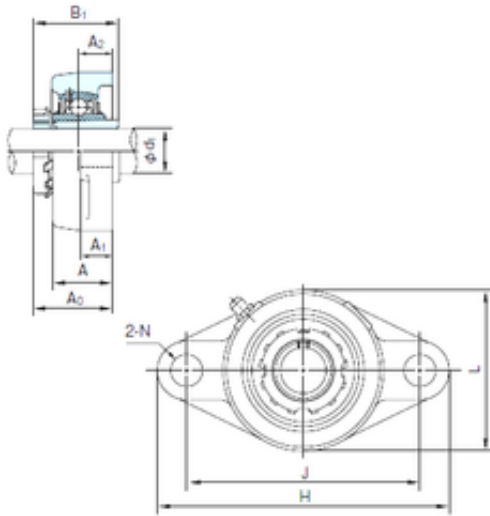




# Toyana Bearing Manufacturing of Canada



## NACHI UKFL324+H2324 bearing units

Bearing No. UKFL324+H2324

Bore Diameter	110 mm
d1	110 mm
A0	130 mm
A	110 mm
A1	48 mm
B1	112 mm
H	520 mm
J	430 mm
L	330 mm
L1	333 mm
N	47 mm
Bolt (G)	M42
A2	65 mm

UKFL324+H2324 Bearing 2D drawings and 3D CAD models