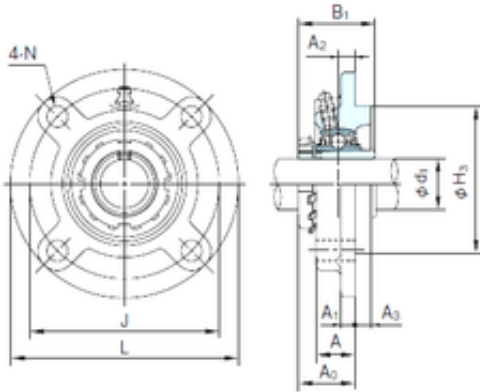




Toyana Bearing Manufacturing of Canada

NACHI UKFC215+H2315 bearing units



Bearing No. UKFC215+H2315

Bore Diameter	65 mm
d1	65 mm
H3	160 mm
A0	53.5 mm
A	40 mm
A1	18 mm
B1	73 mm
J	184 mm
L	220 mm
N	19 mm
Bolt (G)	M16
A2	18 mm
A3	16 mm

UKFC215+H2315 Bearing 2D drawings and 3D CAD models