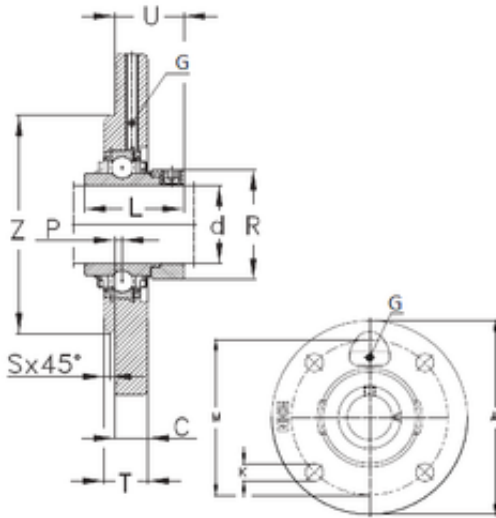




Toyana Bearing Manufacturing of Canada



RME090 Bearing 2D drawings and 3D CAD models

NKE RME090 bearing units

Bearing No. RME090

Bore Diameter	90 mm
d	90 mm
P -	3
U	62,5 mm
K	22 mm
Z	220 mm
A	300 mm
C	22 mm
L	101 mm
M	260 mm
R	132 mm
S	6 mm
T	50 mm
Thread (G)	R1/8 "