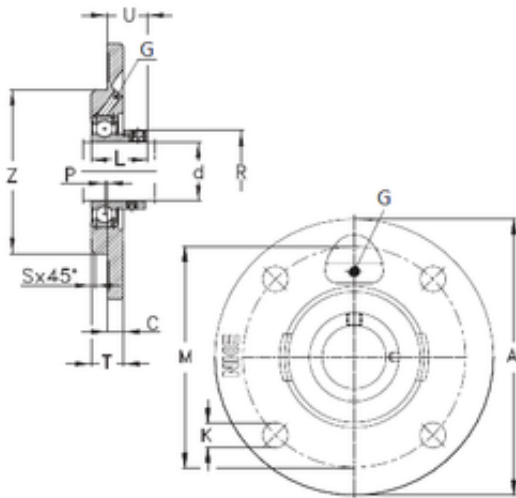




Toyana Bearing Manufacturing of Canada



PME55 Bearing 2D drawings and 3D CAD models

NKE PME55 bearing units

Bearing No. PME55

Bore Diameter	55 mm
d	55 mm
P	0 mm
U	36,4 mm
K	18 mm
Z	125 mm
A	185 mm
C	15 mm
L	48,4 mm
M	150 mm
R	76 mm
S	3 mm
T	27,5 mm
Thread (G)	M6