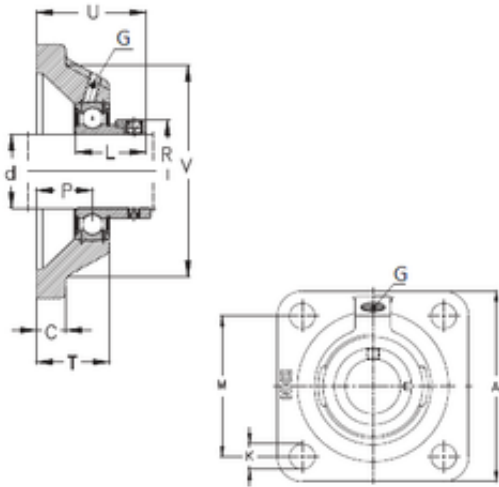




Toyana Bearing Manufacturing of Canada



NKE PCJ40-N bearing units

Bearing No. PCJ40-N

Bore Diameter	40 mm
d	40 mm
P	24 mm
V	110 mm
U	56,7 mm
K	14 mm
A	130 mm
C	13 mm
L	43,7 mm
M	101,5 mm
R	58 mm
T	34,5 mm
Thread (G)	R1/8 "

PCJ40-N Bearing 2D drawings and 3D CAD models