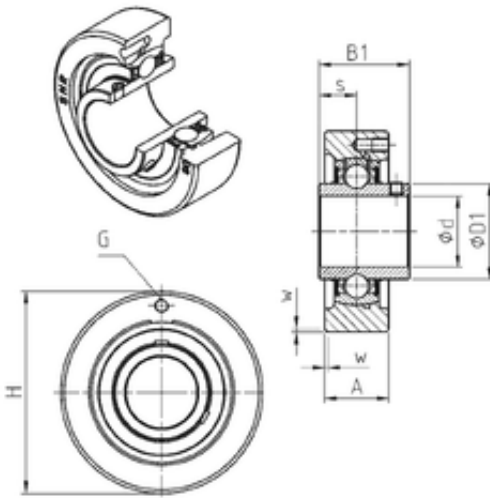




Toyana Bearing Manufacturing of Canada



UCC324 Bearing 2D drawings and 3D CAD models

SNR UCC324 bearing units

Bearing No. UCC324

Bore Diameter	120 mm
d	120 mm
s	51 mm
A	90 mm
B1	126 mm
D1	163 mm
H	320 mm
W	5 mm
Thread (G)	M10x1
Weight	33,5 Kg
Basic dynamic load rating (C)	228 kN
B	126 mm
A3	5 mm
A5	75 mm
G	M10x1
s1	63 mm
S	51 mm
SW	9 mm
C	228 kN
C0	208 kN
T min.	-20 ° C
T max.	100 ° C
Recommended tightening torque for set screw	75 Nm
Designation of housing	C324-
Designation of bearing	UC324G2



Toyana Bearing Manufacturing of Canada