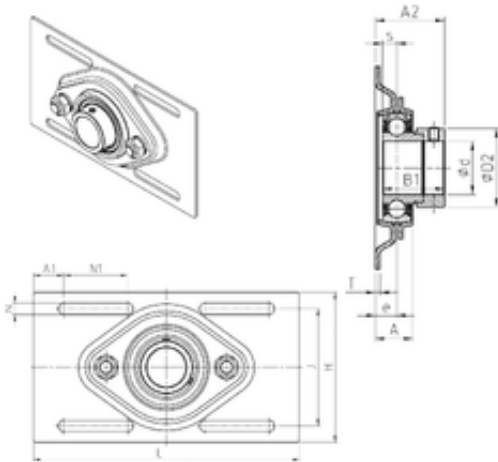




Toyana Bearing Manufacturing of Canada



SNR ESPFE205 bearing units

Bearing No. ESPFE205

| | |
|-------------------------------|----------|
| Bore Diameter | 25 mm |
| d | 25 mm |
| e | 10,3 mm |
| s | 7,5 mm |
| A | 19 mm |
| A1 | 23,4 mm |
| B1 | 30,9 mm |
| D2 | 38,1 mm |
| H | 104,8 mm |
| J | 80,2 mm |
| L | 203,2 mm |
| N | 8,7 mm |
| N1 | 48,5 mm |
| T | 2 mm |
| A2 | 33,7 mm |
| Weight | 0,6 Kg |
| Basic dynamic load rating (C) | 14 kN |

ESPFE205 Bearing 2D drawings and 3D CAD models