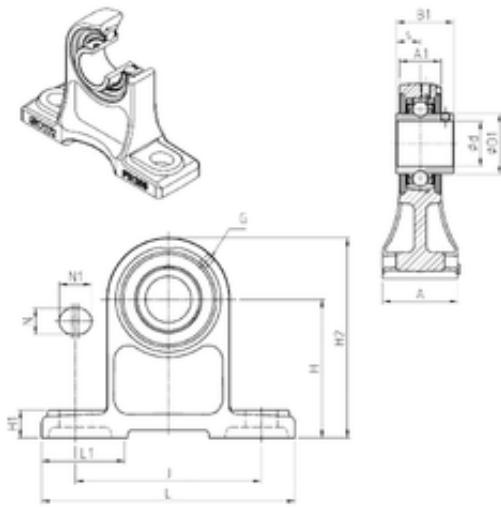




# Toyana Bearing Manufacturing of Canada



UCPH208 Bearing 2D drawings and 3D CAD models

## SNR UCPH208 bearing units

Bearing No. UCPH208

Bore Diameter	40 mm
d	40 mm
s	19 mm
A	70 mm
A1	34 mm
B1	49,2 mm
D1	53 mm
H	100 mm
H1	19 mm
H2	149 mm
J	137 mm
L	184 mm
L1	58 mm
N	17 mm
N1	25 mm
Thread (G)	M6x1
Weight	2,8 Kg
Basic dynamic load rating (C)	29,6 kN