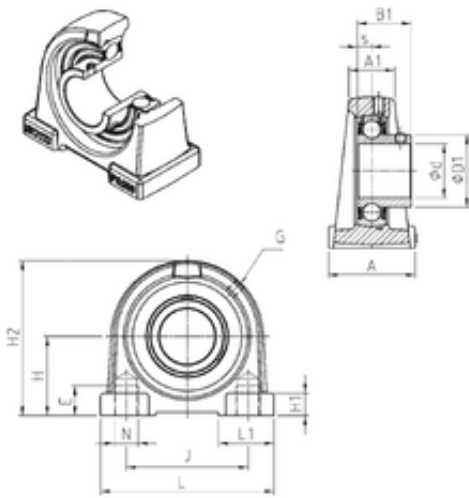




Toyana Bearing Manufacturing of Canada



USPA201 Bearing 2D drawings and 3D CAD models

SNR USPA201 bearing units

Bearing No. USPA201

Bore Diameter	12 mm
d	12 mm
s	6 mm
A	36 mm
A1	19 mm
B1	22 mm
D1	24,6 mm
E	9 mm
H	30,2 mm
H1	10 mm
H2	57 mm
J	48 mm
L	70 mm
L1	20 mm
Thread (G)	M6x1
Thread (N1)	M8
Weight	0,4 Kg
Basic dynamic load rating (C)	9,55 kN