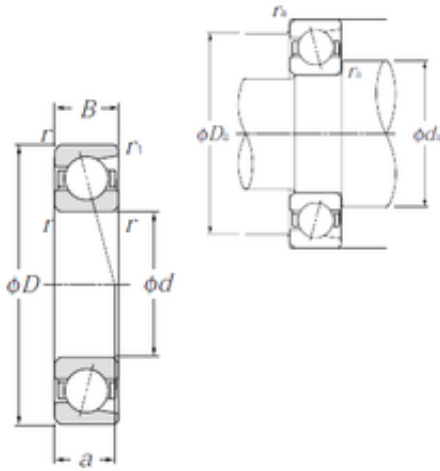




Toyana Bearing Manufacturing of Canada

90 mm x 140 mm x 24 mm NTN 7018 angular contact ball bearings



Bearing No. 7018

Size	90x140x24 mm
Bore Diameter	90 mm
Outer Diameter	140 mm
Width	24 mm
d	90 mm
D	140 mm
B	24 mm
C	24 mm
Angle (°)	25 °
a	45 mm
r min.	1,5 mm
r1 min.	1 mm
da min.	98,5 mm
db min	98,5 mm
ra max.	1,5 mm
Weight	1,35 Kg
Basic dynamic load rating (C)	65 kN
Basic static load rating (C0)	63,5 kN
(Grease) Lubrication Speed	4 900 r/min

7018 Bearing 2D drawings and 3D CAD models