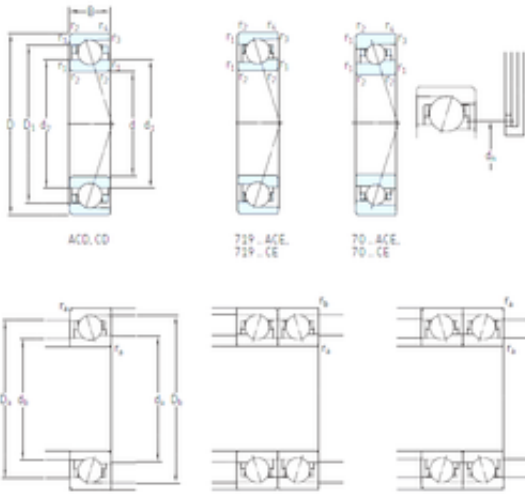




# Toyana Bearing Manufacturing of Canada



75 mm x 130 mm x 25 mm SKF 7215 ACD/P4A angular contact ball bearings

Bearing No. 7215 ACD/P4A

7215 ACD/P4A Bearing 2D drawings and 3D CAD models

Size	75x130x25 mm
Bore Diameter	75 mm
Outer Diameter	130 mm
Width	25 mm
d	75 mm
D	130 mm
B	25 mm
C	25 mm
d1	92,9 mm
d2	92,9 mm
r1 min.	1,5 mm
r2 min.	1,5 mm
r3 min.	0,6 mm
r4 min.	0,6 mm
D1	112,1 mm
D2	115,3 mm
da min.	84 mm
Da max.	121 mm
db min	84 mm
ra max.	1,5 mm
rb max.	0,6 mm
dh	96,6 mm
Db max	125,8 mm
Weight	1,2 Kg
Basic dynamic load rating (C)	68,9 kN



## Toyana Bearing Manufacturing of Canada

Basic static load rating (C0)	58,5 kN
(Grease) Lubrication Speed	9 000 r/min
(Oil) Lubrication Speed	15 000 r/min
Fatigue load limit (Pu)	2,5
Category	Precision Ball Bearings
Inventory	0.0
Manufacturer Name	SKF
Minimum Buy Quantity	N/A
Weight / Kilogram	0
EAN	7316570638820
Product Group	B04270
Enclosure	Open
Precision Class	ABEC 7   ISO P4
Material - Ball	Steel
Number of Bearings	1 (Single)
Contact Angle	25 Degree
Preload	None
Raceway Style	1 Rib Outer Ring
Cage Material	Phenolic
Rolling Element	Ball Bearing
Flush Ground	No
Inch - Metric	Metric
Other Features	Single Row   Angular Contact   Super Precision   High Capacity Basic Design
Long Description	75MM Bore; 130MM Outside Diameter; 25MM Width; Open Enclosure; ABEC 7   ISO P4 Precision; Steel Ball Material; 1 (Single) Bearing; 25 Degree Contact Angle; Phenolic Cage Material; 1 Rib Outer Ring Rac
Category	Precision Ball Bearings



## Toyana Bearing Manufacturing of Canada

UNSPSC	31171531
Harmonized Tariff Code	8482.10.50.28
Noun	Bearing
Keyword String	Ball Angular Contact
Manufacturer URL	<a href="http://www.skf.com">http://www.skf.com</a>
Bore	2.953 Inch   75 Millimeter
Outside Diameter	5.118 Inch   130 Millimeter
Width	0.984 Inch   25 Millimeter
$d_1$	92.9 mm
$d_2$	92.9 mm
$D_1$	112.1 mm
$r_{1,2}$ min.	1.5 mm
$r_{3,4}$ min.	0.6 mm
$a$	36.5 mm
$d_a$ min.	84 mm
$d_b$ min.	84 mm
$D_a$ max.	121 mm
$D_b$ max.	125.8 mm
$r_a$ max.	1.5 mm
$r_b$ max.	0.6 mm
$d_n$	96.6 mm
Basic dynamic load rating C	68.9 kN
Basic static load rating $C_0$	58.5 kN
Fatigue load limit $P_u$	2.5 kN
Attainable speed for grease lubrication	9000 r/min
Attainable speed for oil-air lubrication	15000 r/min
Ball diameter $D_w$	15.875 mm
Number of balls z	17
Reference grease quantity $G_{ref}$	14.895 cm <sup>3</sup>
Preload class A $G_A$	430 N



## Toyana Bearing Manufacturing of Canada

Static axial stiffness, preload class A	211 N/ $\mu$ m
Preload class B $G_B$	860 N
Static axial stiffness, preload class B	274 N/ $\mu$ m
Preload class C $G_C$	1720 N
Static axial stiffness, preload class C	361 N/ $\mu$ m
Preload class D $G_D$	3440 N
Static axial stiffness, preload class D	487 N/ $\mu$ m
Calculation factor f	1.08
Calculation factor $f_1$	0.99
Calculation factor $f_{2A}$	1
Calculation factor $f_{2B}$	1.01
Calculation factor $f_{2C}$	1.02
Calculation factor $f_{2D}$	1.05
Calculation factor $f_{HC}$	1
Calculation factor e	0.68
Calculation factor (single, tandem) $Y_2$	0.87
Calculation factor (single, tandem) $Y_0$	0.38
Calculation factor (single, tandem) $X_2$	0.41
Calculation factor (back-to-back, face-to-face) $Y_1$	0.92
Calculation factor (back-to-back, face-to-face) $Y_2$	1.41
Calculation factor (back-to-back, face-to-face) $Y_0$	0.76
Calculation factor (back-to-back, face-to-face) $X_2$	0.67
Mass bearing	1.21 kg