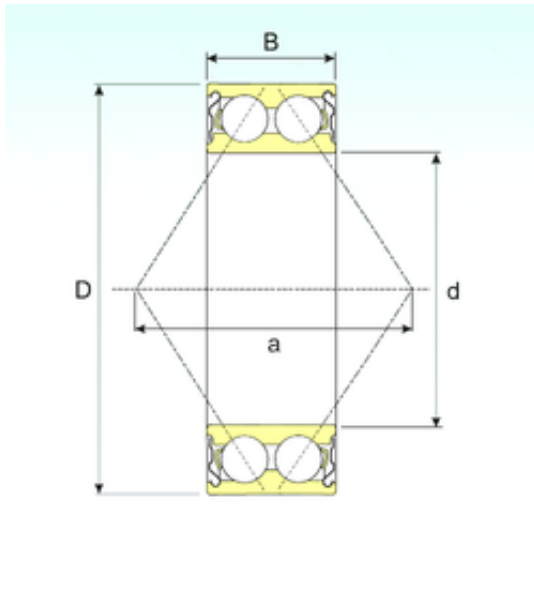




Toyana Bearing Manufacturing of Canada



3302-ZZ Bearing 2D drawings and 3D CAD models

15 mm x 42 mm x 19 mm ISB 3302-ZZ angular contact ball bearings

Bearing No. 3302-ZZ

Size	15x42x19 mm
Bore Diameter	15 mm
Outer Diameter	42 mm
Width	19 mm
d	15 mm
D	42 mm
B	19 mm
C	19 mm
a	24 mm
Weight	0,13 Kg
Basic dynamic load rating (C)	14,8 kN
Basic static load rating (C0)	9,11 kN
(Grease) Lubrication Speed	15200 r/min